

THE INDUSTRY LEADING

# Pope ProPass 600 Canna Still



HIGHEST PERFORMANCE - GREATEST THROUGHPUT / PRICE RATIO

## ProPass Wiped-Film Molecular Still

Recognized for decades as a leader in molecular distillation, Pope Scientific proudly introduces the ProPass 600 series of Canna Stills. This single-stage wiped-film distillation system delivers the core essentials for reliable, round-the-clock operation. Its all 316L stainless steel construction (with no glass except armored sight glasses) ensures durability and excellent heat transfer for maximum efficiency and throughput.

Developed from more than a decade of cannabis distillation expertise and over 45 years of overall wiped-film experience, the ProPass 600 features high-performance gear pumps, an oversized vacuum pump, a compact heavy-duty frame, and more. The result is an industrial-grade system built to process a wide range of quality extracts and consistently produce high-purity, high-yield distillate. As always, it's backed by Pope's unmatched customer service and technical support long after the sale.

## Versatility:

The system comes ready to process the two typical passes – terpenes removal and cannabinoid distillation. Additional passes are also possible. For large feed lots, two ProPass modules linked together are highly recommended for optimization of daily throughput and minimization of maintenance and cleaning/drying time between passes. Linking together more units is also possible at any time.



## Key Features:

- Up to 10 L/hr feed rate
- Single point power distribution panel
- High performance liquid and vacuum pumps
- All wiring to NEC industrial standards
- 316L SS used on all wetted metal parts
- Also available in 4", 9", 12" and 20" ProPass sizes
- USA designed and manufactured
- Industrial duty and performance

THE INDUSTRY LEADING

# Pope ProPass 600 Canna Still



## The Pope ProPass At A Glance:

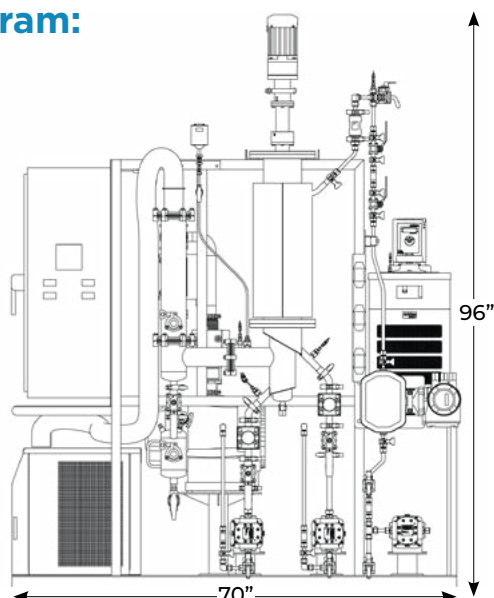
- Developed to provide the greatest reliable throughput per dollar possible!
- Choice of electric band or hot oil jacket heating.
- An industrial duty no-frills, robust and efficient 6" Wiped Film cannabinoid still.
- Designed as an all 316L stainless steel system, not a modification of a glass standard still system.
- Features a single-stage system capable of performing the typical two types of passes for cannabinoid distillation or for other special one-pass applications.
- Modular design for expansion of production needs, and easy linking of extra stages in a series if required - no need to purchase "all at once."
- Includes the basics for what is necessary to start continuous processing right out of the crate, with the option to upgrade components based on a customer's preferences and budget.

## Optional Packages:

To suit the unique preferences and budget of the operator, a variety of options are available including:

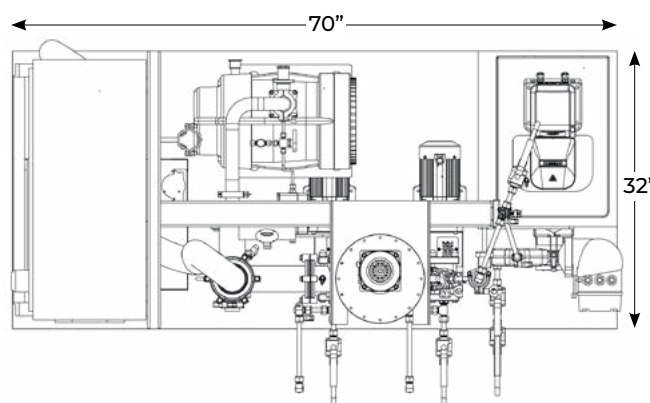
- Hot Oil Heating Substitution Package
- Feed Rate Display & Control Package
- Real-time Distillate Percentage Display Package, (eliminating bucket & stopwatch verifications)
- Vacuum Booster Package (Diffusion or other types)
- Automatic Vacuum Control Package
- Data Recording & Management Package
- Feed & Receiver Vessel Package Choices
- Contact Pope for more details regarding pricing and packages available.

## Dimensional Diagram:



## General Specifications:

Footprint	70"W x 32"D x 96"H
Electrical	208V, 3-phase (WYE), 75 FLA (Others avail.)
Warranty	Limited 1 year warranty
Feed Rate	Up to 10 kg/h
Evaporator diameter	6"
Evaporator surface area	0.22 m <sup>2</sup>
Internal condenser surface area	0.35 m <sup>2</sup>
Vacuum capacity	29.7 CFM
Ultimate vacuum (clean and dry)	0.01 to 0.02 Torr
Internal condenser chiller range	-35°C to 150°C
Immersion chiller operating temperature	-80 to -60°C



(Hot oil version shown. Consult with Pope for heating band version.)

V2.0 2025